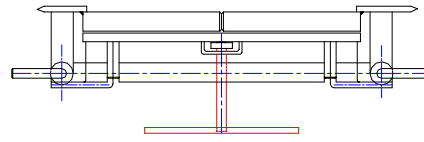


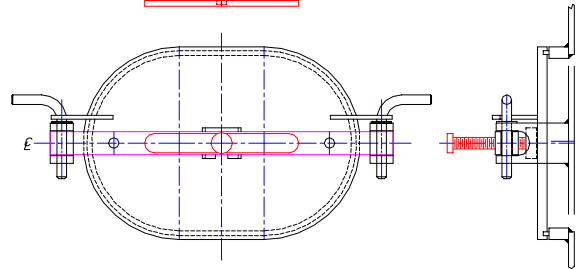
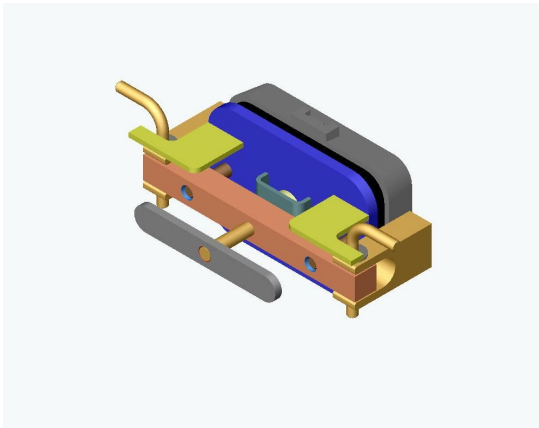
Bottle Cleaner Modernization Kit (No. 4750112, 4750113, & 4750150)

New Improved Manhole & Serpentin Covers

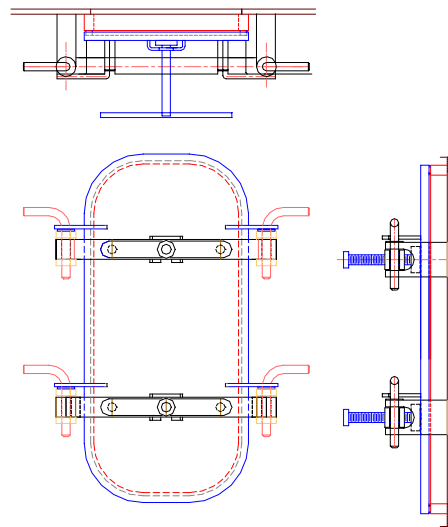
Manhole Cover



Cleanout Cover



Serpentin Coil Cover



Features:

New Improved Manhole & Serpentin Covers:

- Easy to handle
- Safety design
- Secure

New Improved Cleanout Cover:

- Cover must be backed off from the tank before either hinge pin can be removed.
- If for any reason the tank fluid level is above the cleanout, the cover remains solidly supported.

Barry-Wehmiller

Bottle Cleaner

New Improved Manhole Covers

A new improved manhole cover has been designed. The new design is hinged to the tank, as illustrated above, eliminating the need to remove the cover completely since it swings out to the left or right side. Since the cover must back-off from the tank before the hinge pin can be removed, a positive check that the compartment is completely drained of solution is provided. This new design is interchangeable and, consequently, existing flanges may be utilized.

The new manholes are made of fabricated steel, rather than cast iron construction, which makes the manholes less susceptible to damage from impacts or rough handling. These covers are available in both the 11"x16½" (4750112) design and the 11"x25" (4750113) configuration. This type of manhole fits both the Barry-Wehmiller washer and pasteurizer.

Each kit includes one cover assembly with gasket, hinge, brackets, and wheel.

Bottle Cleaner

New Improved Cleanout Cover

Barry-Wehmiller's continuing efforts to enhance their products have resulted in a new improved cleanout cover. The cover must be backed off from the tank before either hinge pin can be removed. If for any reason the tank fluid level is above the cleanout, the pressure of the fluid helps to lock the pin in place. The cover can swing right or left to suit your conditions.

The new covers are made of fabricated steel, rather than cast iron, which makes them less susceptible to damage from impacts or rough handling. This type of cover fits both the Barry-Wehmiller Washer 5" x 8" cleanout flanges.

Each kit includes one cover assembly with gasket, hinge, brackets, and T-Bar.

Please contact our Barry-Wehmiller Customer Service Department for Details.

Barry-Wehmiller

Barry-Wehmiller
Company

8020 Forsyth Blvd.

St. Louis, MO 63105 USA

Phone: (314) 862-8000; Fax: (314) 862-2457

Web Site: www.Barry-Wehmiller-Company.com