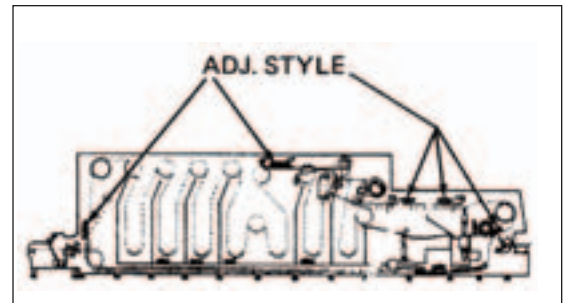
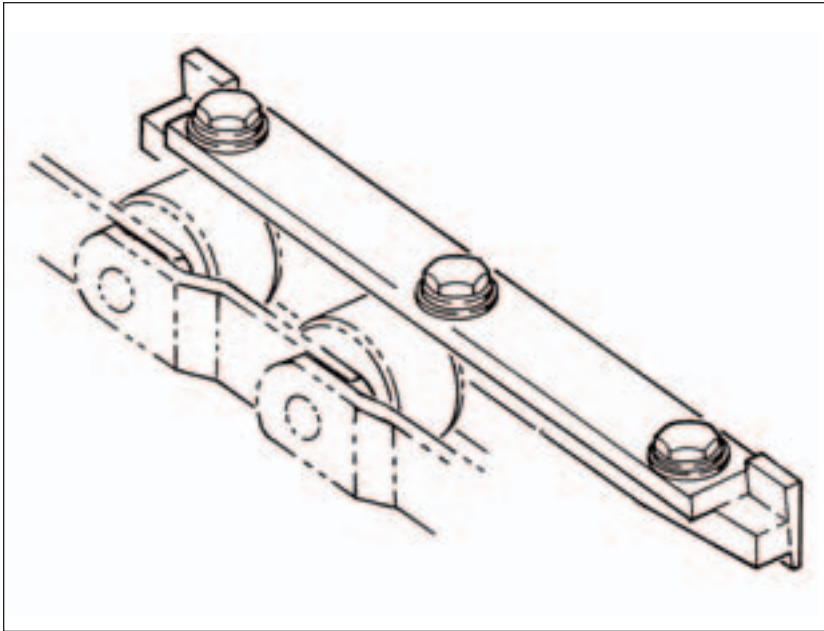


## Modernization Kit No. 4750130 Replaceable Hardened Chain Guides



Hardened chain guides are available for Models 10, 12 & 14, Systems 40 bottle cleaners, both pint and quart size. This guide provides positive alignment of carriers at certain locations where bottle position is critical. The wear surfaces are hardened to provide for long service life and when the guides do need replacement, they can be removed with only three bolts.

Since the guides are located above the chain links there is no possibility of the chain climbing over the guide as was possible with the previous keystone guide. Recommended locations for chain guides are illustrated in the typical sketch below.

Please contact your Barry-Wehmiller Customer Service Department for details.