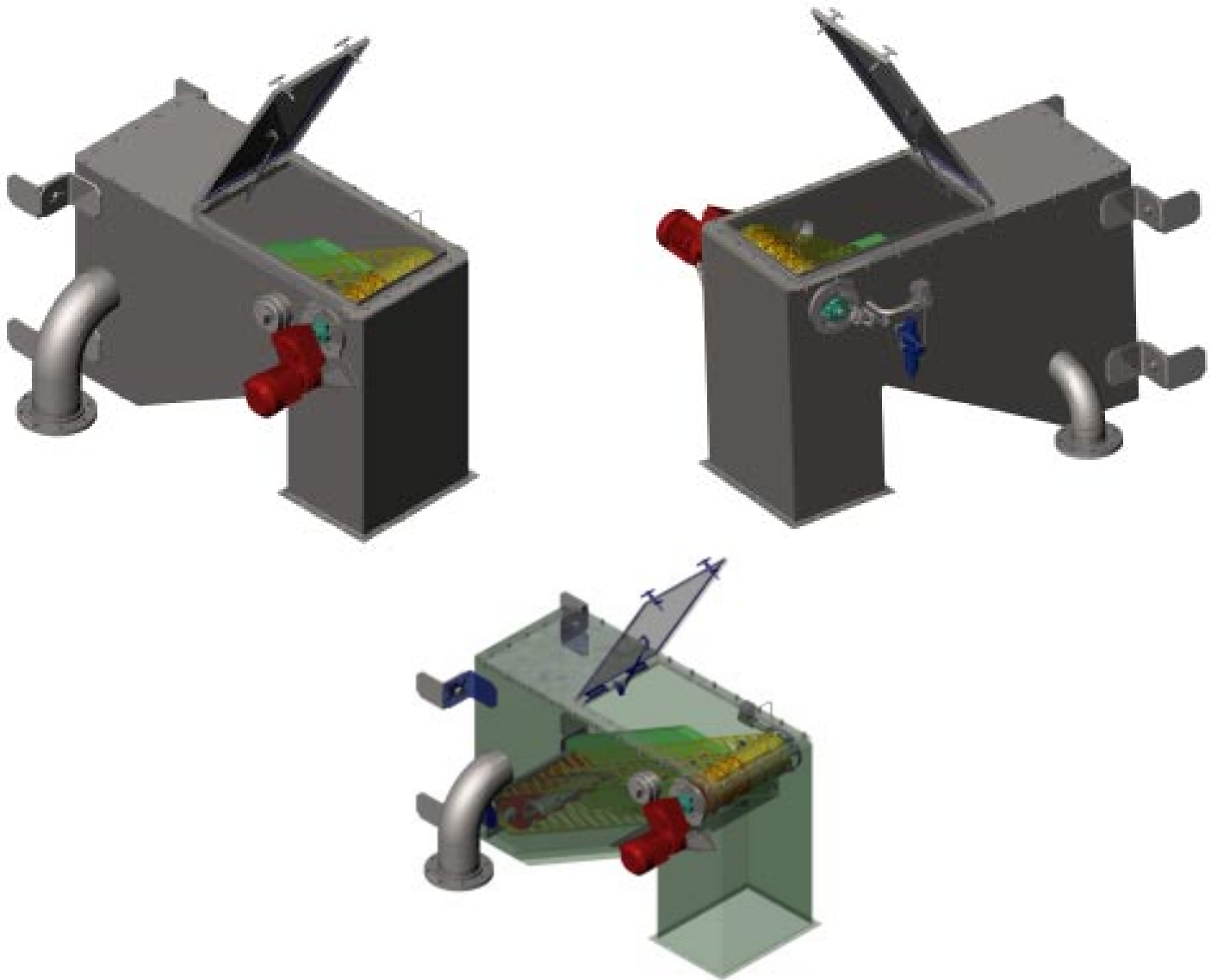


Bottle Cleaner Modernization Kit (No. 4750417)

Moving Screen Filter Box



Features:

- Fully automated action
- Easy to maintain
- Better filtering system

Barry-Wehmler

Bottle Cleaner

Moving Screen Filter Box

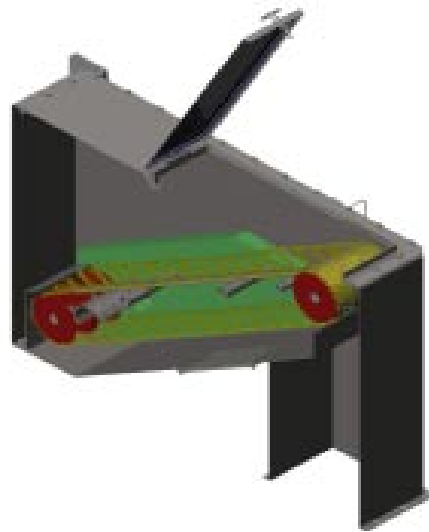
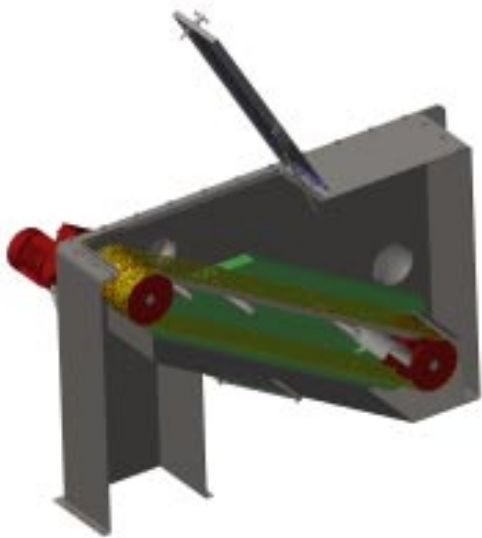
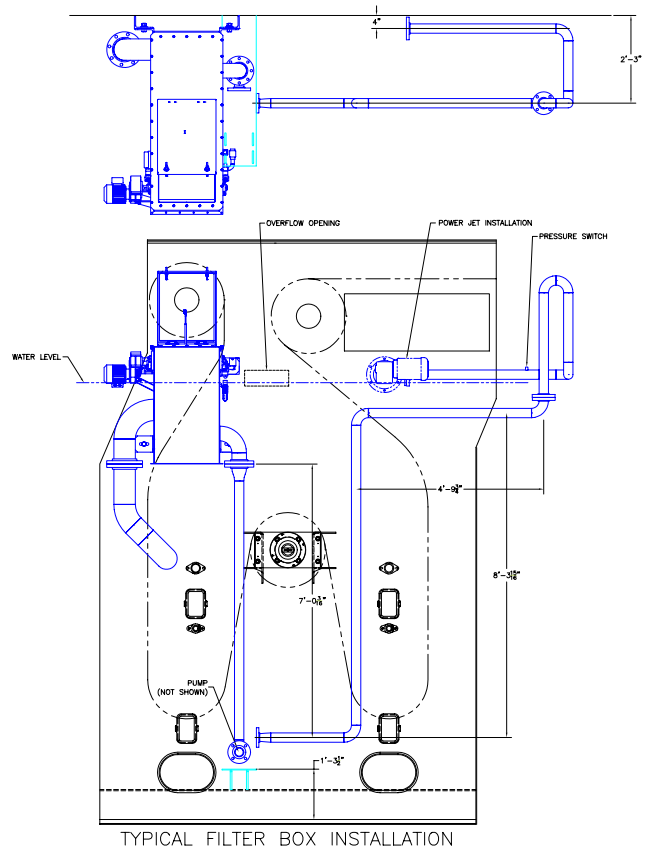
Barry-Wehmiller now offers our latest design in filtering for the hot-hydro rinser Power Jet. Liquid filtered by this device will provide added assurance that the Power Jet nozzles remain free flowing and operating at peak performance.

Unfiltered solution is discharged above a moving filter screen that allows the liquid to pass through while debris and foreign matter is continuously conveyed out of the filter box. The filtered liquid is pumped back to the Power Jet sprays.

Where surrounding conditions dictate, the "Moving Screen Filter Box" can be attached directly to the washer or remotely mounted. For added flexibility, this unit may also be mounted on either side of the hot hydro compartment.

Mild Steel construction is standard for the filter box, optional stainless steel is available.

Please contact your Barry-Wehmiller Customer Service Department for details.



Barry-Wehmiller

**Barry-Wehmiller
Company**

St. Louis, MO 63105 USA

Phone: (314) 862-8000; Fax: (314) 862-2457

Web Site: www.Barry-Wehmiller-Company.com