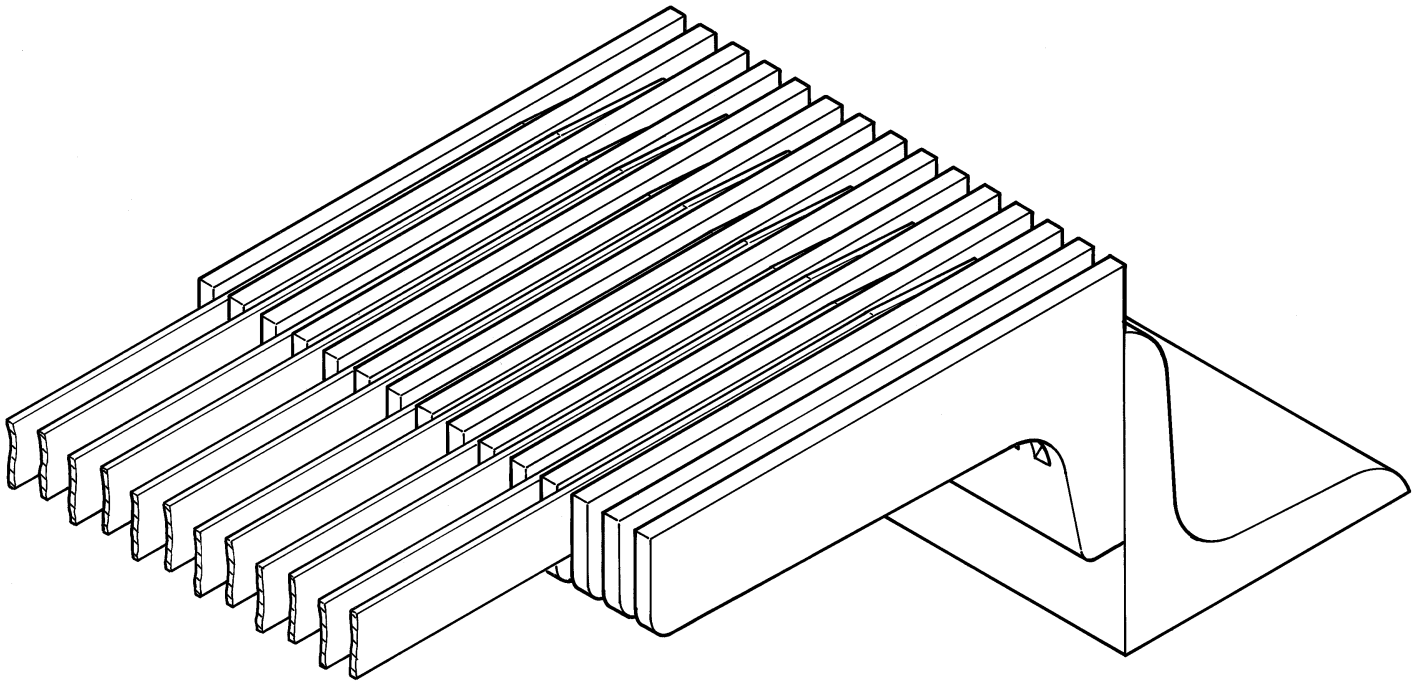


Pasteurizer Modernization Kit (No. 4750501)

Brass "One On One" Stripper Angle Assembly



Features:

- Smoother transfer of product
- Product is more stable and efficient
- Fewer down bottles or cans
- Less damaged grate strips

Barry-Wehmiller

Pasteurizer

Brass “One On One” Stripper Angle Assembly

Barry-Wehmiller now offers brass stripper castings with grooves for one grate strip instead of the traditional two strips per groove. These castings are mounted to a stripper angle to comprise a complete stripper angle assembly.

By doubling the amount of stripper fingers, product handling becomes more stable and efficient. Downtime, due to fallen product, is reduced and the new stripper angle assembly allows for a smoother transfer of product into and out of the pasteurizer.

All Model B and Model C Barry-Wehmiller pasteurizers may be retrofitted with this new stripper angle assembly.

Please contact your Barry-Wehmiller Customer Service Department for details.

Barry-Wehmiller

Barry-Wehmiller
Company

8020 Forsyth Blvd.
St. Louis, MO 63105 USA
Phone: (314) 862-8000; Fax: (314) 862-2457
Web Site: www.Barry-Wehmiller-Company.com