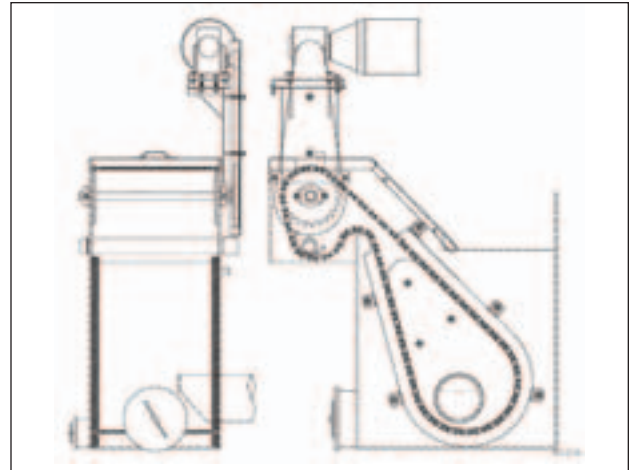


Modernization Kit No. 4750100 Self-Cleaning Suction Box



We are pleased to offer an automatic filter system for Pasteurizer suction boxes. The new self-cleaning system consists of a driven mesh belt, which moves debris to be discharged to the upper end of the suction box where it is flushed away. Water filtered through the mesh is then pumped to the spray headers and the cycle is repeated. This system provides improved protection against clogged nozzles due to accumulated glass, algae, and other foreign materials. A clog-free spraying system is essential for uniform pasteurization.

This system can be installed on existing Vortex Pasteurizers fitted with any existing type of suction box.

Please contact your Barry-Wehmiller Customer Service Department for details.

Barry-Wehmiller

ACCURACY

Barry-Wehmiller
Company

Hayssen Sandiacre

THICK

pneumatic
SCALE



Barry-Wehmiller
International Resources

Marquip Ward United

DESIGN GROUP



Technologies
Fleetwood Goldco Wyard